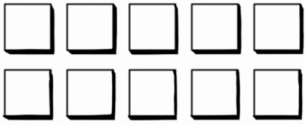


# NORCO SIGHT

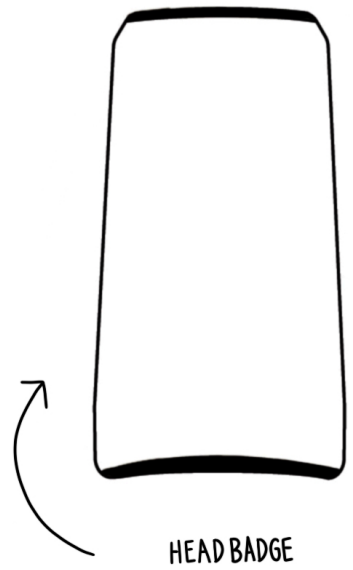
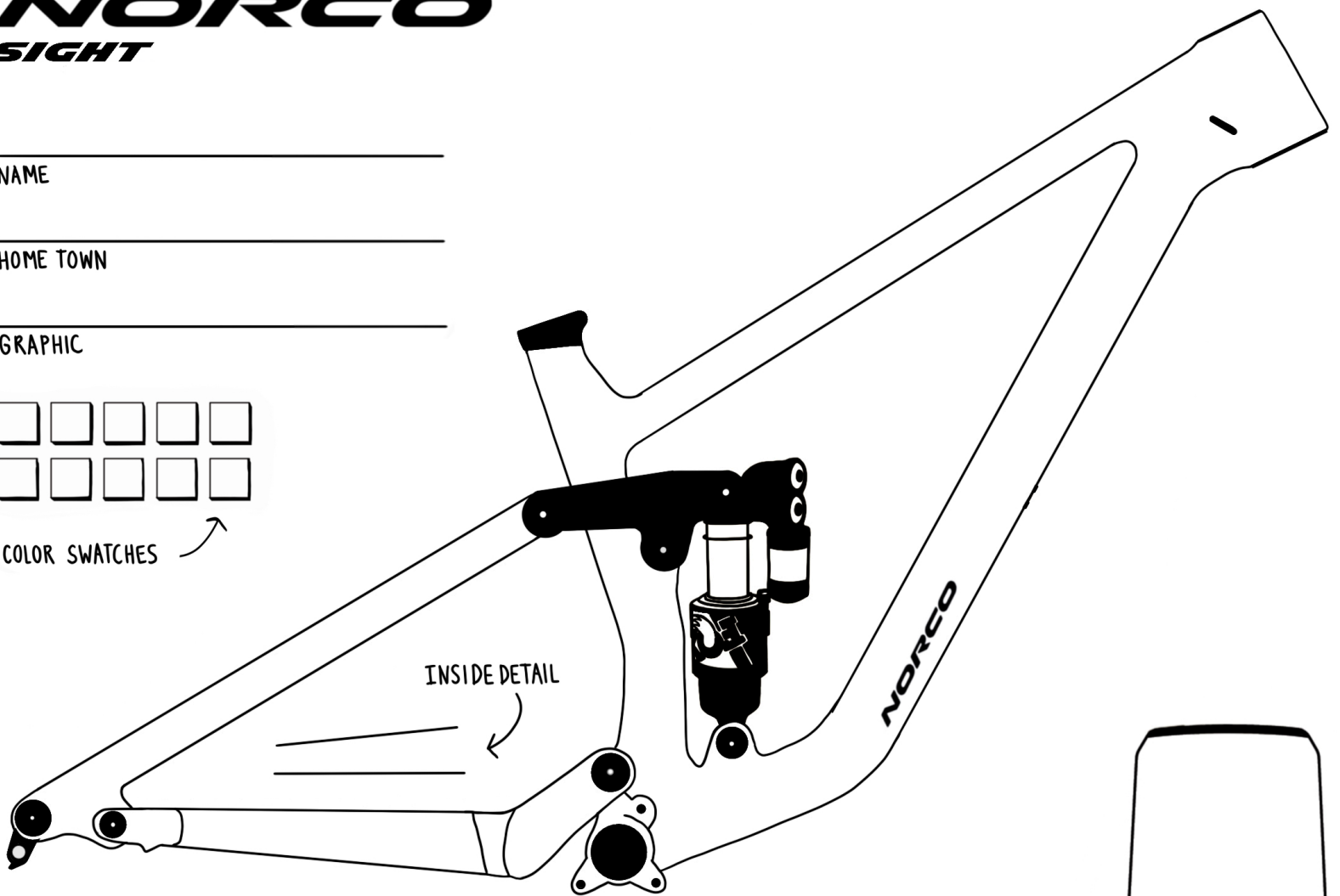
NAME \_\_\_\_\_

HOME TOWN \_\_\_\_\_

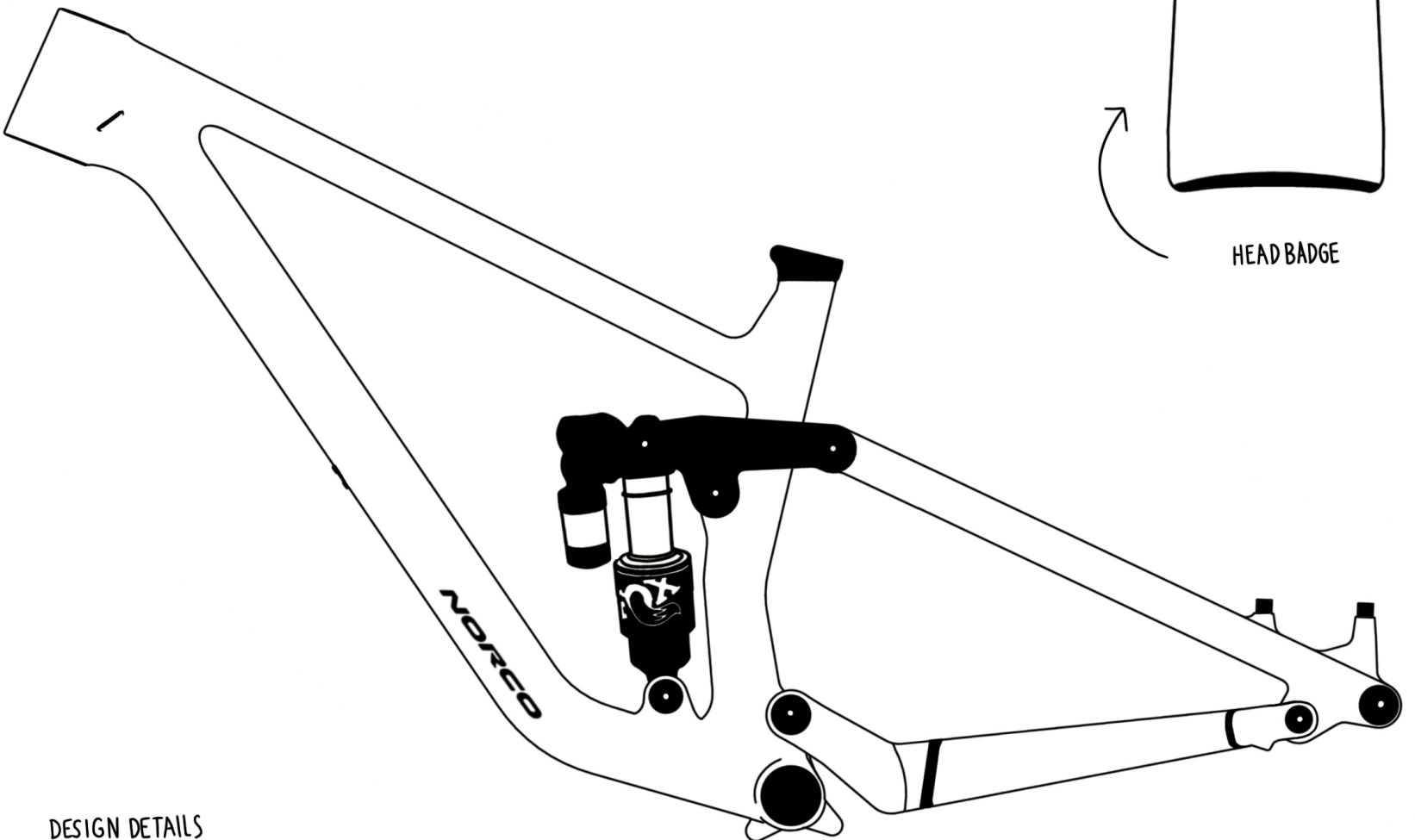
GRAPHIC \_\_\_\_\_



COLOR SWATCHES



HEAD BADGE



DESIGN DETAILS